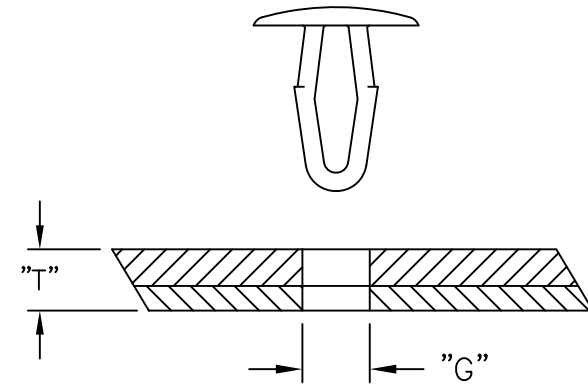
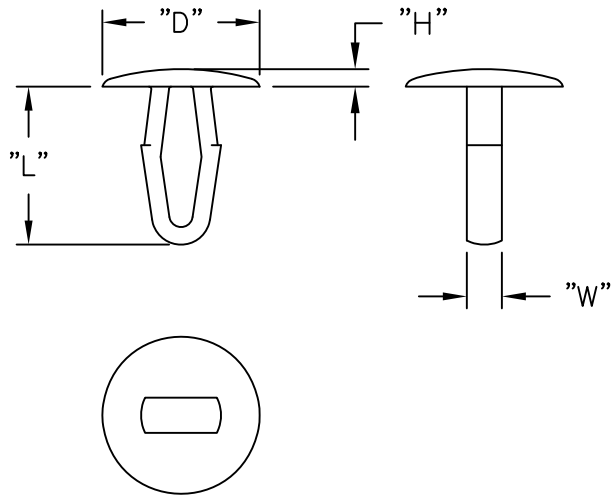


ACETAL (RMS-14) COLOR: WHITE PART NO.	FLAME RETARDANT, NYLON UL94-VO (RMS-19) COLOR: NATURAL PART NO.	HOLE DIA. "G" ±.002 (±0.05)	"T" TOTAL THICKNESS RANGE	"D" ±.010 (±0.25)	"H" ±.010 (±0.25)	"L" REF.	"W" REF.
DF-137-010	---	.126 (3.2)	.039-.177 (1.0-4.5)	.315 (8.0)	.059 (1.5)	.512 (13.0)	.106 (2.7)
DF-137-020	DFVO-137-020	.153 (3.9)	.039-.197 (1.0-5.0)	.354 (9.0)	.063 (1.6)	.551 (14.0)	.116 (2.9)
DF-137-030	DFVO-137-030	.185 (4.7)	.039-.216 (1.0-5.5)	.394 (10.0)	.067 (1.7)	.590 (15.0)	.134 (3.4)
DF-137-031	DFVO-137-031			.433 (11.0)	.114 (2.9)		
DF-137-040	DFVO-137-040	.252 (6.4)	.059-.256 (1.5-6.5)	.472 (12.0)	.079 (2.0)	.669 (17.0)	.153 (3.9)
DF-137-050	---	.307 (7.8)	.059-.275 (1.5-7.0)	.551 (14.0)	.087 (2.2)	.748 (19.0)	.166 (4.2)
DF-137-060	---	.216 (5.5)	.236-.354 (6.0-9.0)	.472 (12.0)	.079 (2.0)	.709 (18.0)	.150 (3.8)



NOTES:

- COLOR: GRAY AVAILABLE BY SPECIAL ORDER ONLY. TO ORDER ADD 'GY' TO THE END OF PART NO.

I	SEE CO 200282 FOR CHANGES	SK 11.17.08	TITLE: DRIVE FASTENER				DWG IN IN(MM)	FINAL	PRINT TYPE CA
H	SEE ECN #592 FOR CHANGES	SM 03.18.03							
G	SEE ECN #482 FOR CHANGES	SM 10.07.02	FILE # DF		DWN: J.L.	APP:	PART #	DF-SERIES	
F	ADDED DFVO COLUMN, CHANGED FILE NO.	SM 03.01.02	MAT'L: SEE NOTES		DT: 11.17.98	DT:			
E	DIM D .433(11) FOR -031 WAS .394(10)	J.L 03.09.00	RE: RICHCO, INC.		RICHCO INC. PO BOX 804238, CHICAGO, 60680 (773) 539-4060				
D	TOTAL THICKNESS AND HOLE DIA CHANGED	J.L 11.17.98	TOLERANCES UNLESS NOTED .XX=±.010 .XXX=±.005 FRAC=±1/64 ANG=±1°						
C	CONVERTED TO ACAD	PB 03.08.94							
B	DIM. "W" ADDED	RS 08.02.93							
A	TOL. ADDED TO TABLE	RS 02.26.93							
REV	DESCRIPTION	ENGR DATE							